

Staccato® Sciclone Cell Station - Assay

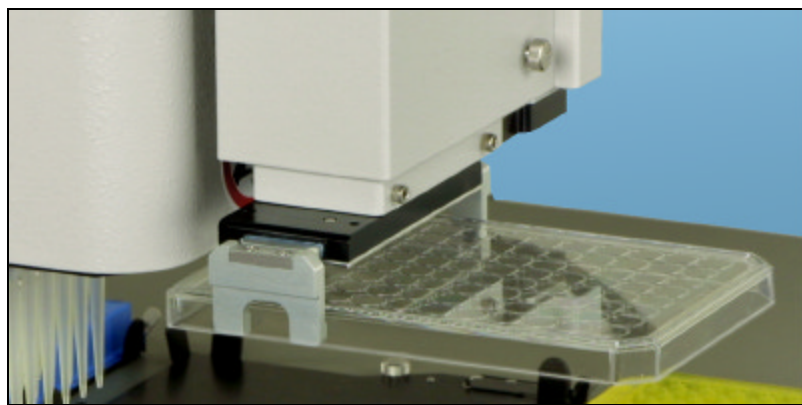
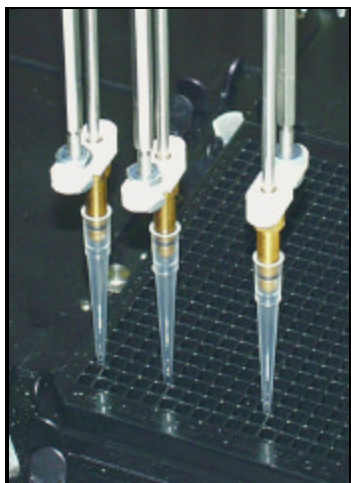
Technical Specifications

The Staccato Cell Station - Assay, is an automation platform for processing a variety of cell based assays. Cell Station - Assay automates all incubation, plate transfer, liquid addition and detection within a compact footprint, taking up minimal lab space.

The Staccato Cell Station - Assay is capable of running a variety of assays including:

- **Agonist/Antagonist Screens**
- **Barrier Assays**
- **GPCR Assays**
- **Ion Channel Assays**
- **Cytotoxicity Assays**
- **Apoptosis/Necrosis Assays**
- **Reporter gene assays**
- ... and others

Zymark's Applied Science and Technology Group works with customers to provide completely validated methods for many of the industries leading assay kits. This allows researchers to begin their assays sooner, and spend less time optimizing for automation.



Staccato Application series systems come pre-assembled as standard products with minimal setup required, thus eliminating the need for factory acceptance tests and prolonged site acceptance testing. Systems can be up and running the same day they are delivered. All Staccato workstations are based on robust and time-tested automation friendly building blocks. Each system is carefully designed by Zymark's Integrated Solutions team to provide scientists and researchers with robust and reliable tools.



Staccato Sciclone Cell Station - Assay Technical Specifications

Dimensions

Length 78" (1981 mm)

Width 48" (1219 mm)

Height 80" (2032 mm)

Weight

1200 lbs (2640 kg)

Electrical Requirements

120/240V, 60/50 Hz, 20 Amp

Pneumatic Requirements

Oil-free, dry air at 60 PSI

Regulatory Ratings

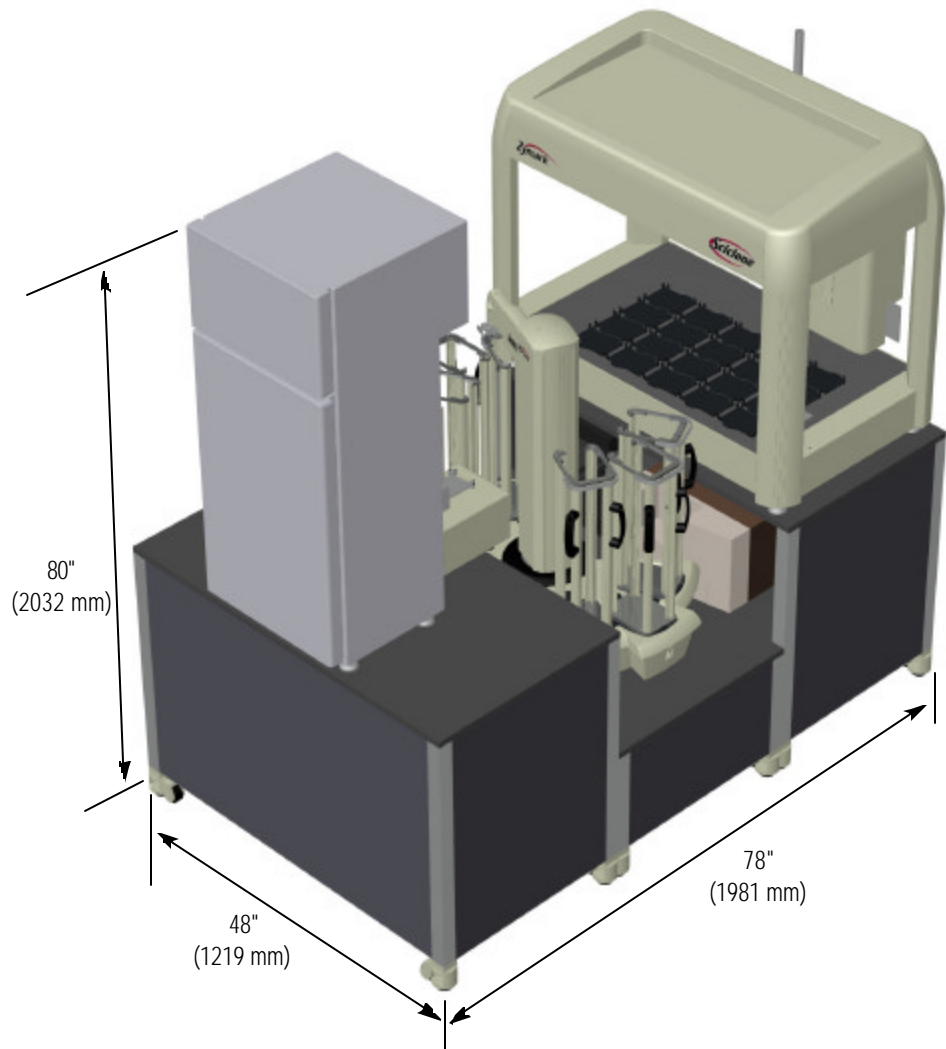
All components CE compliant

Staccato Controller

Dell OptiPlex GX 260T
P4 - 2GHz, 512 Mb RAM
20 GB hard drive, CD-RW drive
3.5" floppy drive
Internal 10/100 NIC, 56K modem
RS232 to USB converter hub

Software

Windows 2000 SP2 or greater
MS Office Applications Suite
CLARA version 2.2 or greater
User interface software



Accessories

The Staccato Sciclone Cell Station - Assay Includes:

Zymark Twister® II robot with 6 storage racks and CLARA® software adapter
Zymark Sciclone ALH 3000 with independent Z8 and CLARA software adapter
Zymark 44 position incubator and CLARA software adapter
Zymark delidding station and CLARA software adapter
Biotek 405 washer and CLARA software adapter
78" x 48" tiered table, with power and air distribution
CLARA plate reader adapter (user specified)
System controller
Monitor

Additional Options Include:

- Shaking incubator
- Class 2 environmental hood
- Multimode Reader

