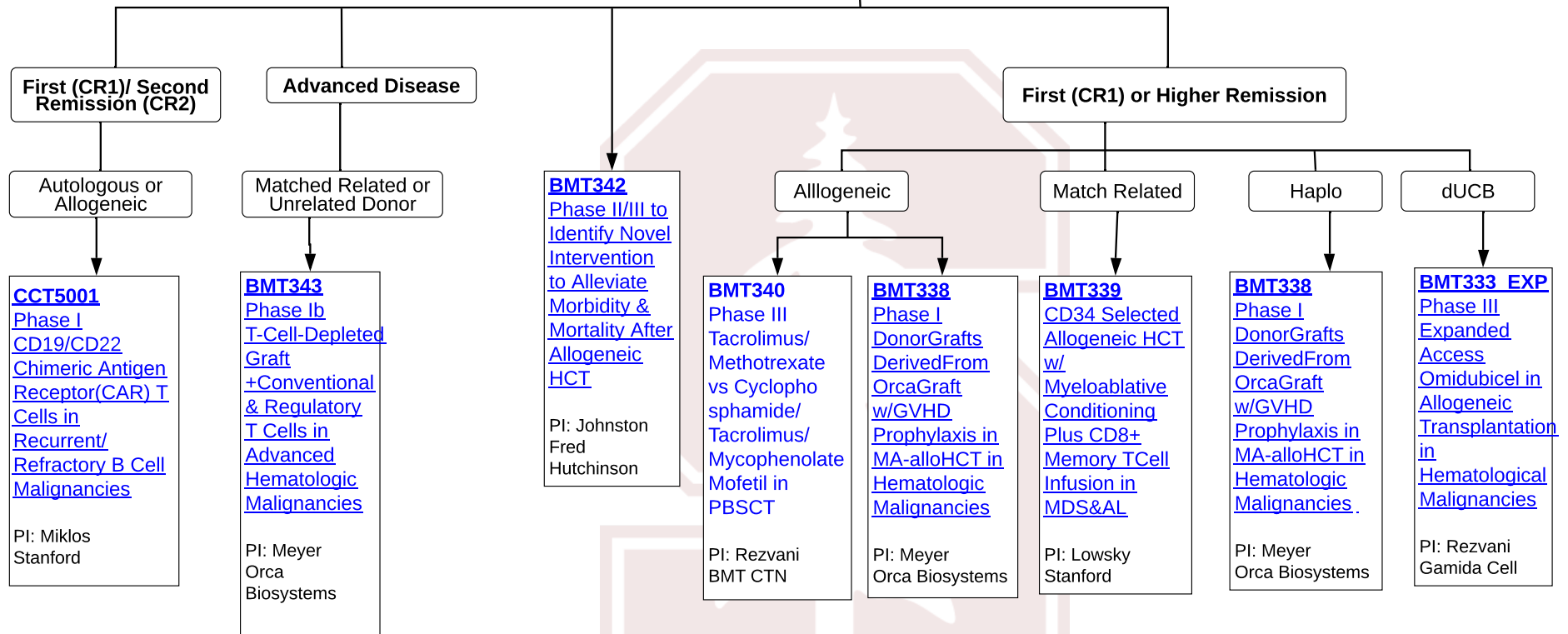


Acute Lymphoblastic Leukemia (ALL)



KEY

- Pending
- Open for Enrollment
- Observational Study
- Optional Path
- Link Trial Posting
- Enrollment on Hold
- Extension Study
- ◆ Immunotherapy